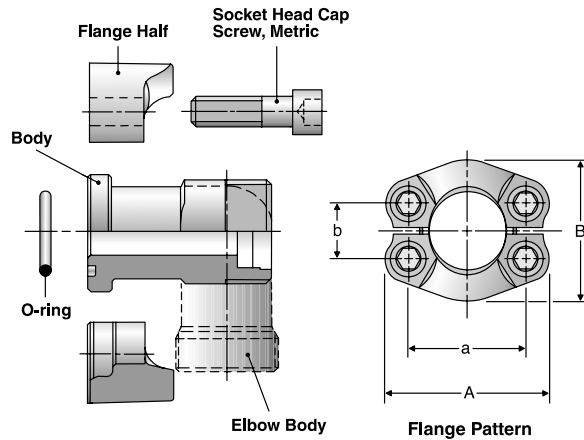


FHS6

Flange Components



Code 62

For Straights and Elbows
(ISO 6162-2, Type 1)

Size	For Tube O.D. Series	Working Pressure (bar)	SAE Flange Halves	4 Socket Head Cap Screws DIN 912-8.8	O-Ring
1/2	16S	400	FHS 62A3CX	M8X35	OR18.64 x 3.53X
3/4	16S	400	FHS 63A3CX	M10X35	OR25.00 x 3.53X
3/4	20S	400	FHS 63A3CX	M10X35	OR25.00 x 3.53X
3/4	25S	400	FHS 63A3CX	M10X35	OR25.00 x 3.53X
1	25S	400	FHS 64A3CX	M12X45	OR32.92 x 3.53X
1	30S	400	FHS 64A3CX	M12X45	OR32.92 x 3.53X
1 1/4	30S	400	FHS 65A3CX	M14X50*	OR37.70 x 3.53X
1 1/4	38S	315	FHS 65A3CX	M14X50*	OR37.70 x 3.53X
1 1/2	38S	315	FHS 66A3CX	M16X55	OR47.22 x 3.53X

Size	For Tube O.D. Series	A ≈	a	B ≈	b
1/2	16S	56	40.5	47	18.2
3/4	16S	71	50.8	60	23.8
3/4	20S	71	50.8	60	23.8
3/4	25S	71	50.8	60	23.8
1	25S	81	57.2	70	27.8
1	30S	81	57.2	70	27.8
1 1/4	30S	95	66.7	77	31.8
1 1/4	38S	95	66.7	77	31.8
1 1/2	38S	113	79.4	95	36.5

Temperature range without pressure reductions for fittings with O-ring sealing of NBR (e.g., buna N series) -35° up to +100°C, FPM (e.g., fluorocarbon on request) -25° up to +120°C.

Tightening torques for socket head cap screws see [Table T7](#).

* Does not meet ISO 6162 specification.



Dimensions and pressures for reference only, subject to change.